

Smart Filter Press Test Unit LCM320

For Filter Selection

Testing the filtration qualities or properties of your slurry is essential when selecting the correct filter type and size for your specific application. In this way, we can ensure the best possible process performance and most cost-efficient solution for your application. With our LCM320, filtration testing can be done on-site conveniently and safely.

Optimizing Filtration Process

Typically, most process conditions evolve over time due to increased production demand or even changes in the markets. Filters are often not running in the most optimal way affecting the process performance.

Our small-scale test unit makes it easier and faster than ever to test your slurry on your site, without disturbing your production.



LCM 320 Set-Up - Portable, safe and reliable. The test unit simulates the operation of the full-size industrial filter.

Testing Gives Insight!

Test:

- Filtration capacity, kg DS/m²h
- Cake moisture, % w/w
- Cake washing results
- Filter cloth selection

Obtain:

- Filtrate clarity
- Optimal filtration cycle
- Advanced cake dryness

Specifications	
Filtration area	0,18 m ²
Chamber depth	32 mm
Shipping size	97 x 48 x 59 cm (length x width x height)
Shipping weight	80 kg
Membrane squeeze	with or without

BENEFITS

- ✓ Full understanding of your slurry's filtration characteristics
- ✓ Best technology selection
- ✓ Optimized process performance



Testing Requirements

Set-up, Samples & Analysis

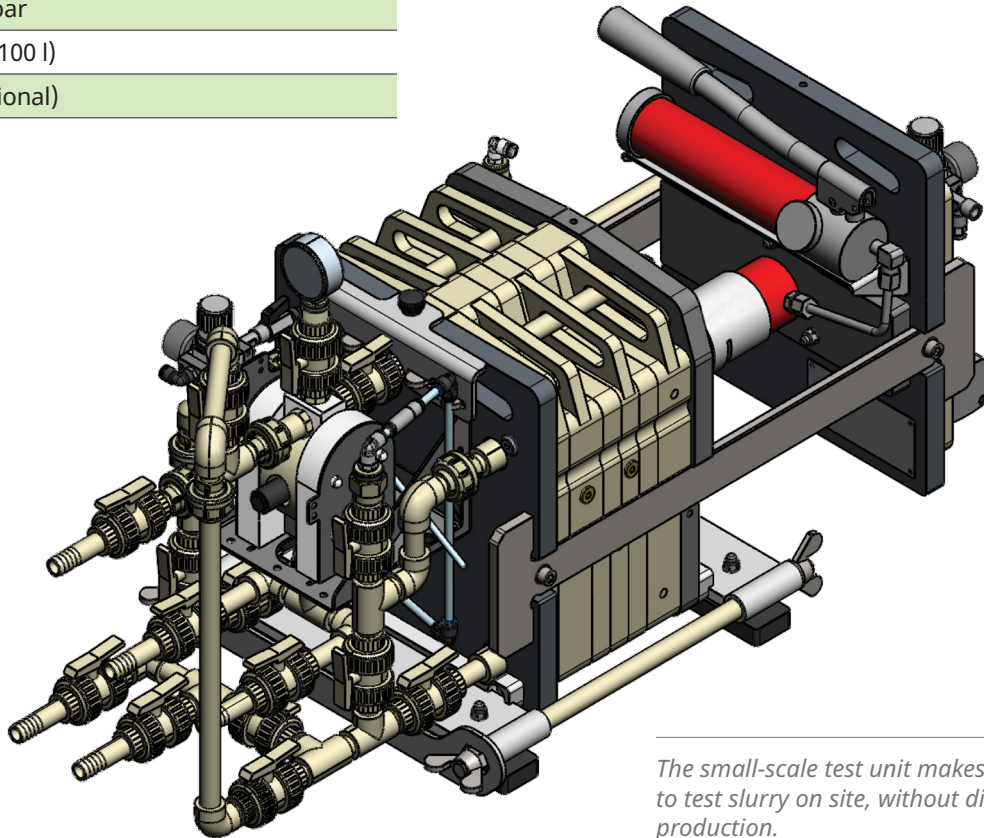
What we need from you:

Working space: Approx 2,5 x 2,5 m

Air supply of min. 5,5 bar

Slurry feed tank (min. 100 l)

Mixing & Heating (optional)



The small-scale test unit makes it easier & faster to test slurry on site, without disturbing the production.

Your sample should fulfill following requirements:

Test sample: Approx. 30 - 80 l, depending on the solid content in slurry

Solids content: Approx. 1-10%

Which analysis are required before the test:

Feed temperature & pH

Feed solids content w/w %

Feed density g/l

Filter Cloth Selection

We offer a comprehensive range of filter cloths, tailored for application-specific use. Based on your testing results, we are pleased to provide thorough consultation regarding the optimal filter cloths for your specific requirements.



Your AQUACHEM partner is standing by to help you set-up the best conditions and select the ideal cloth for you.

